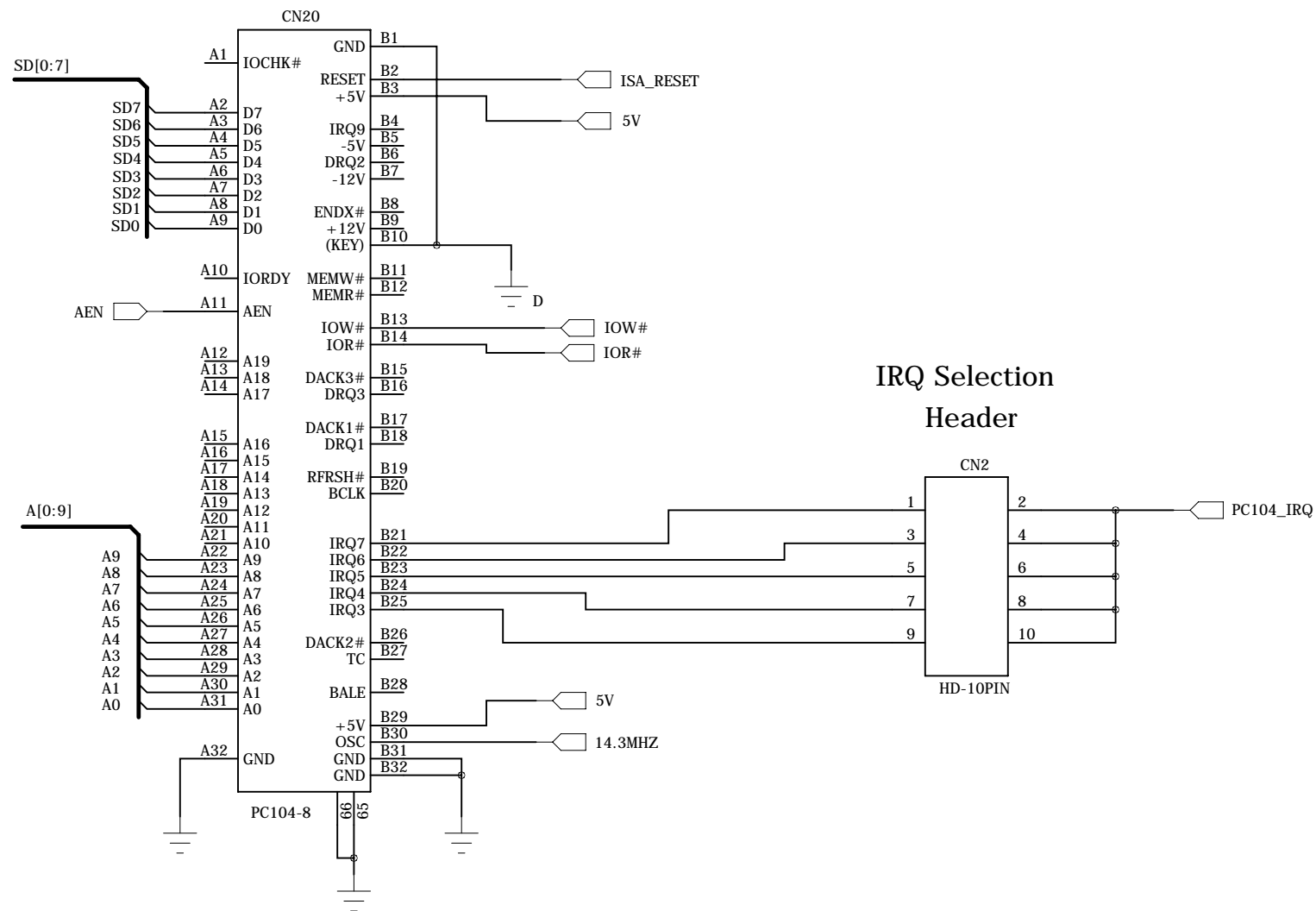
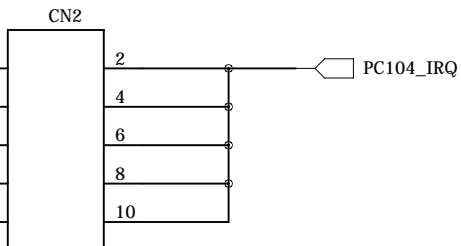


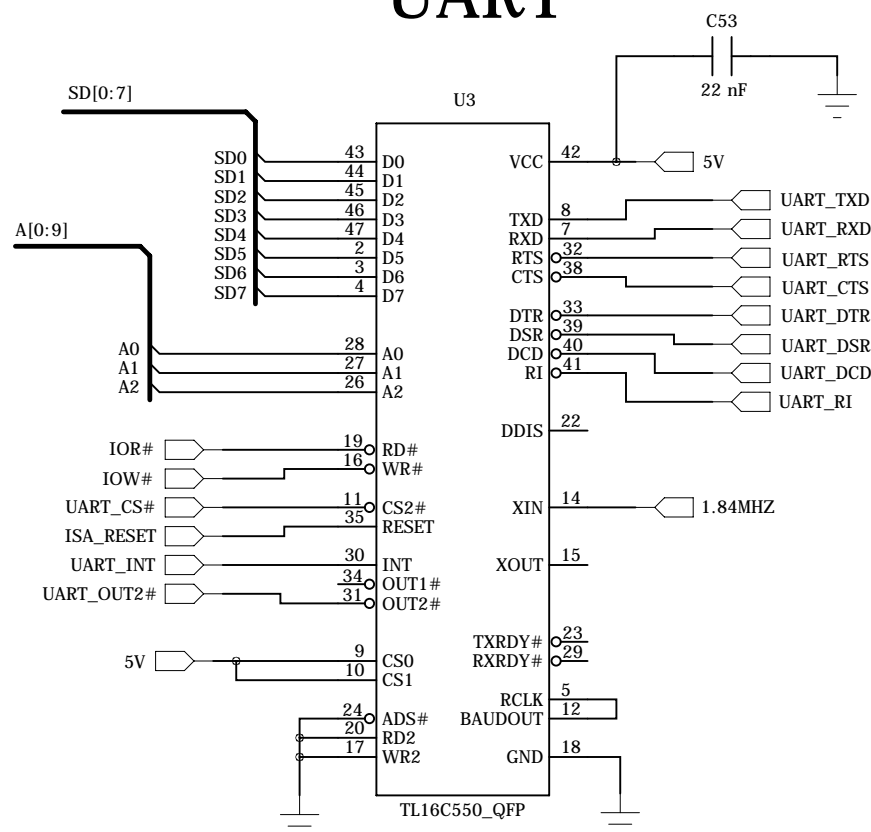
# PC/104 Bus



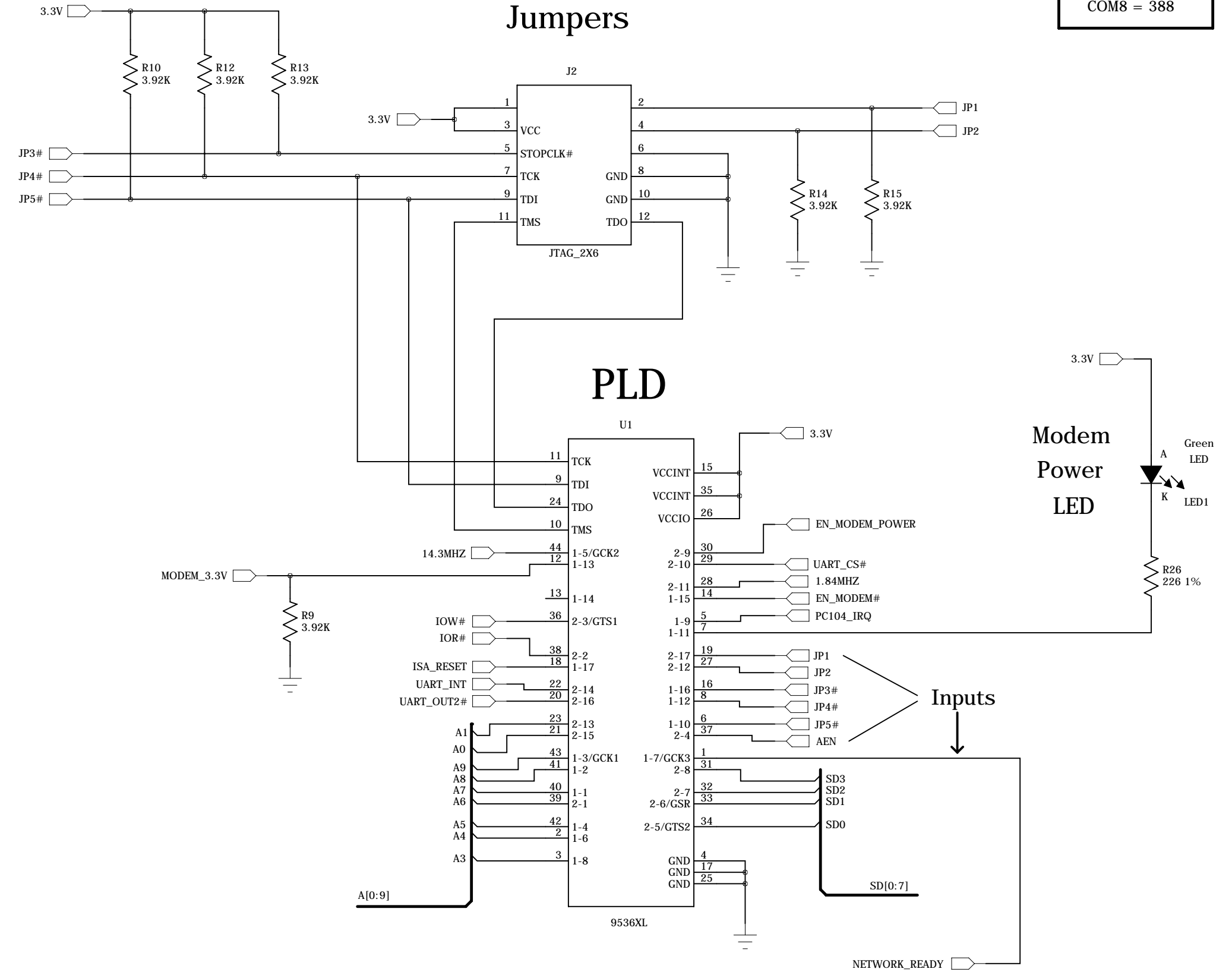
## IRQ Selection Header



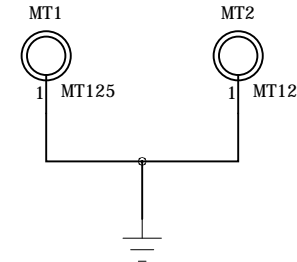
# 16C550 UART



# JTAG and Jumpers

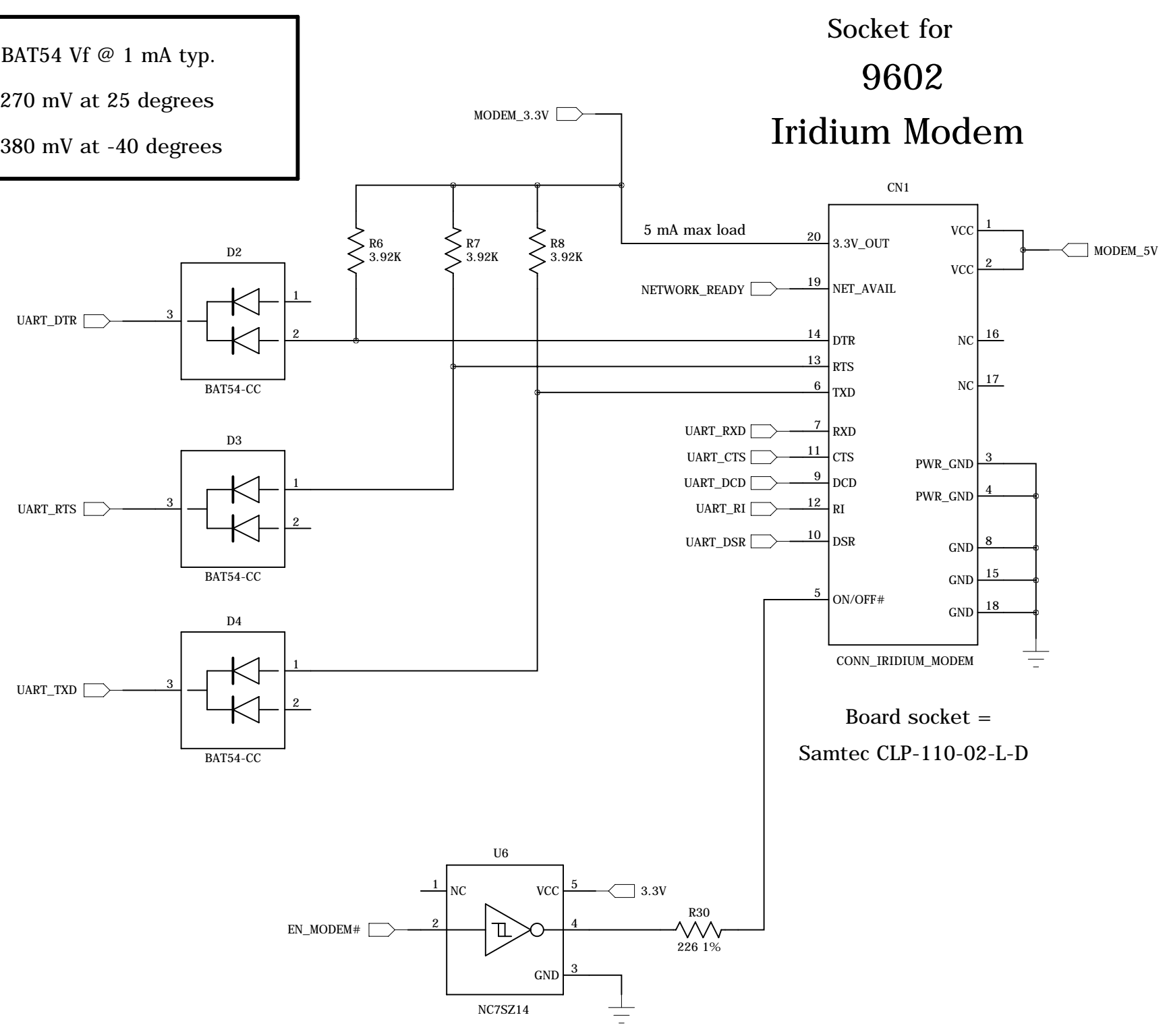


- COM1 = 3F8
- COM2 = 2F8
- COM3 = 3E8
- COM4 = 2E8
- COM5 = 3A8
- COM6 = 2A8
- COM7 = 380
- COM8 = 388

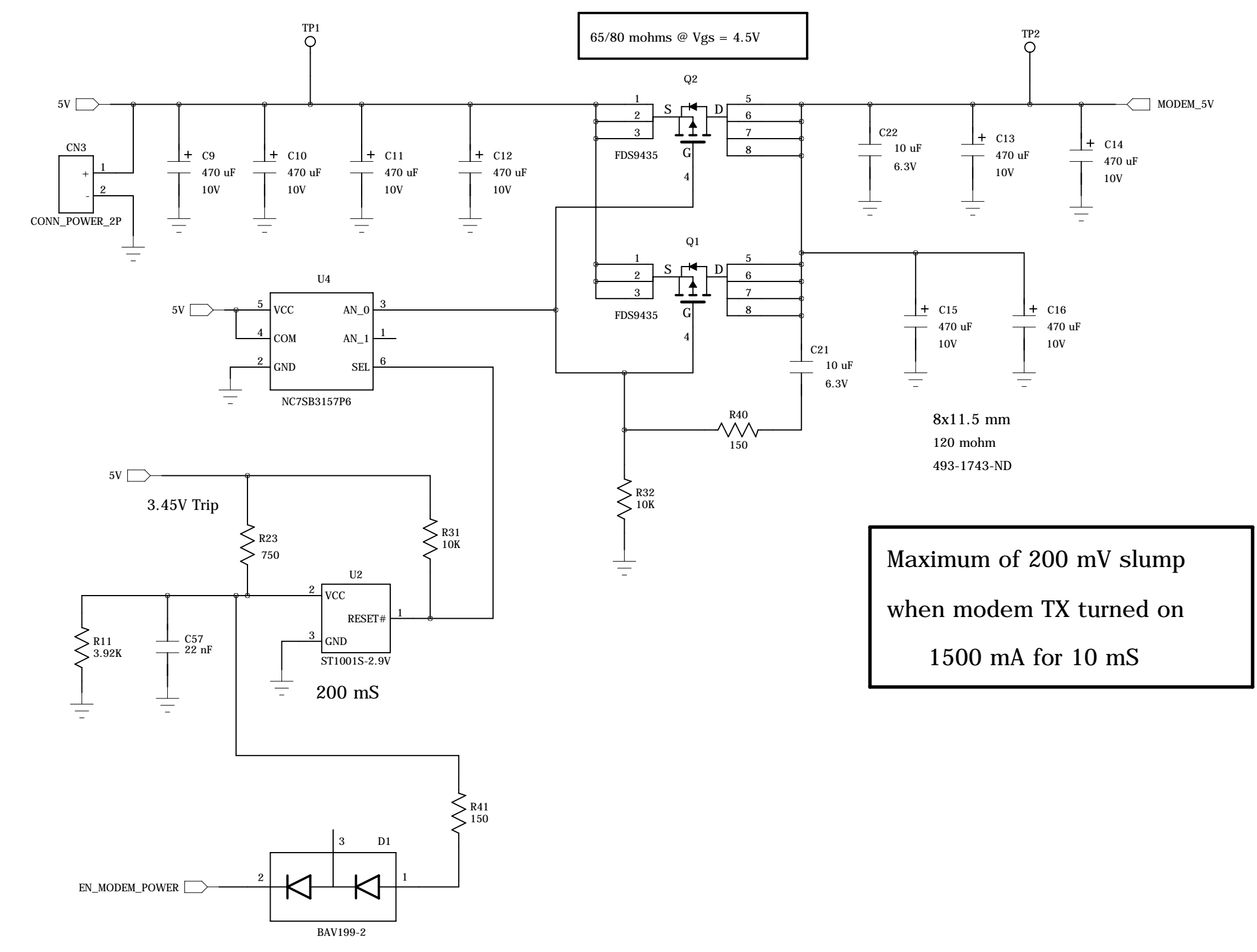


Modem power requirement  
 Max. average current = 200 mA  
 1500 mA max for 10 mS (TX)  
 then < 100 mA for long time

BAT54 Vf @ 1 mA typ.  
 270 mV at 25 degrees  
 380 mV at -40 degrees

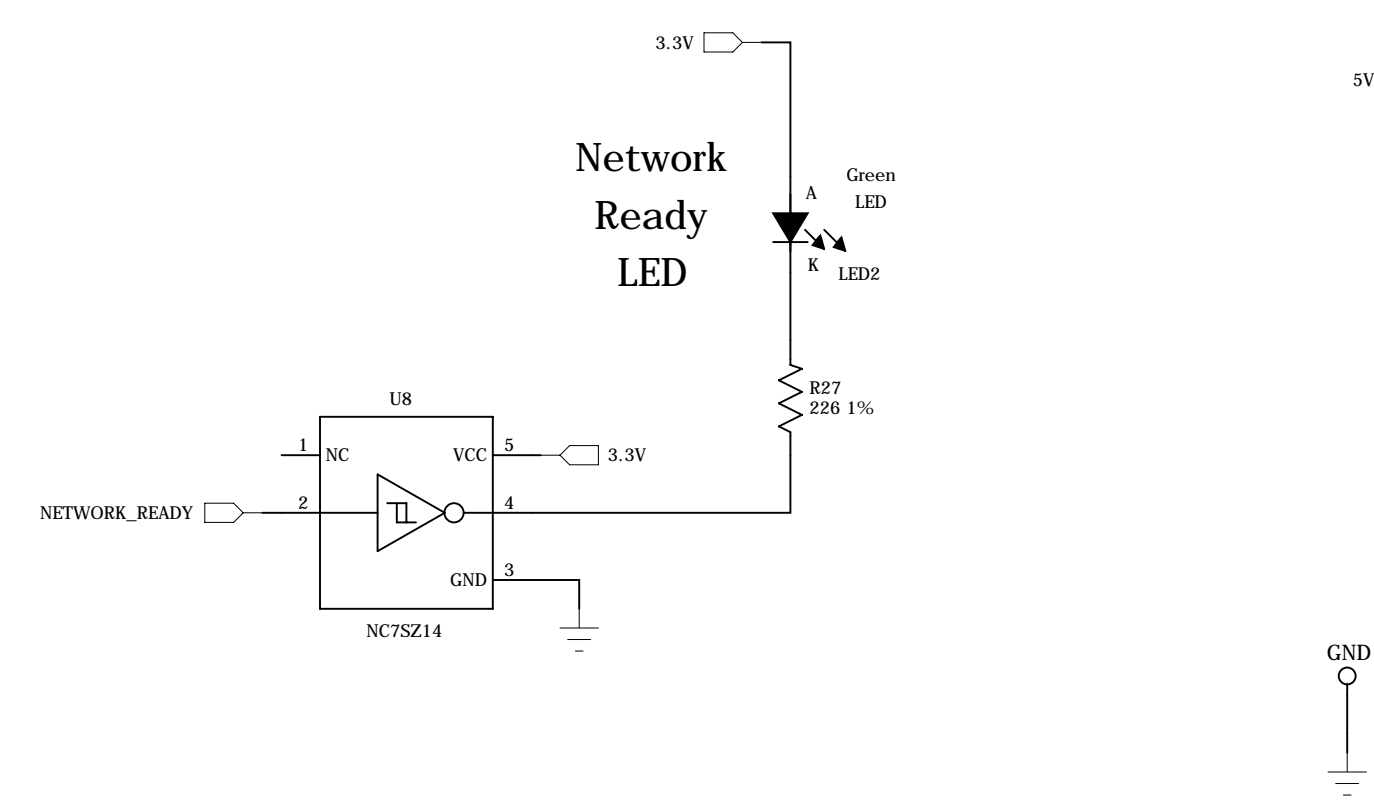
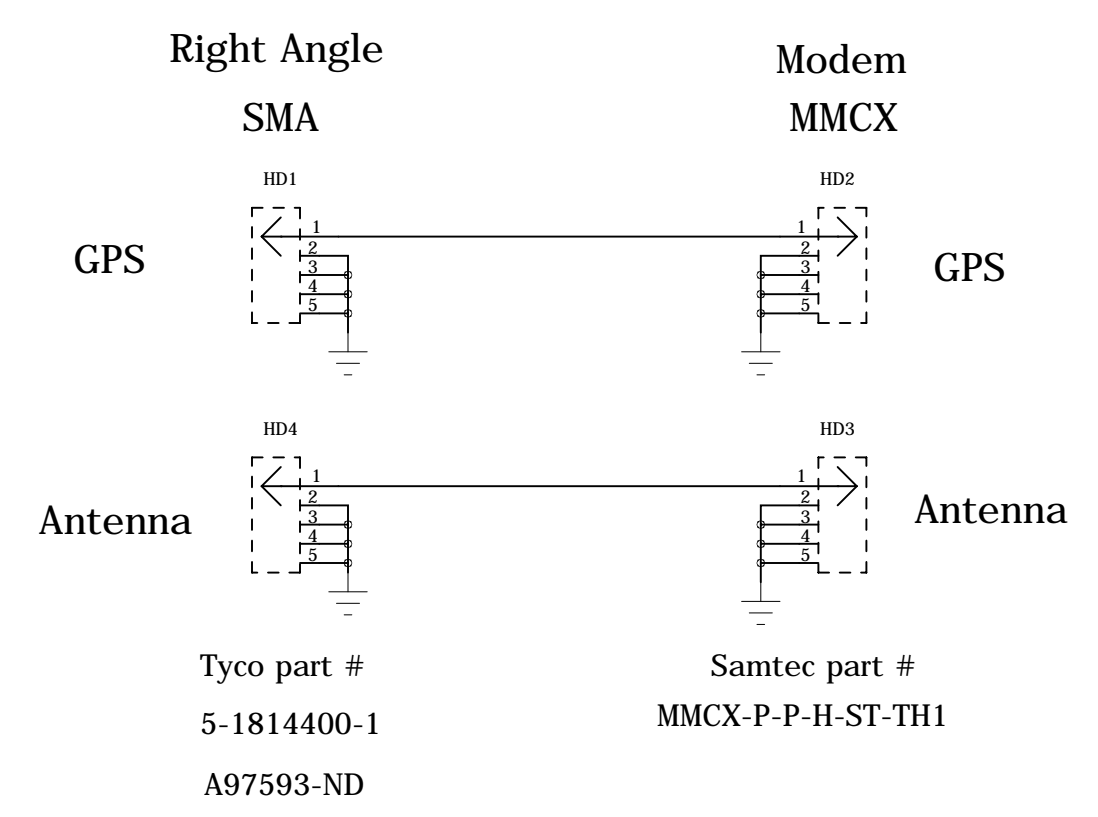


## Controls 5V to modem ramp rate



Maximum of 200 mV slump  
 when modem TX turned on  
 1500 mA for 10 mS

## RF Connectors



## 3.3V Reg.

