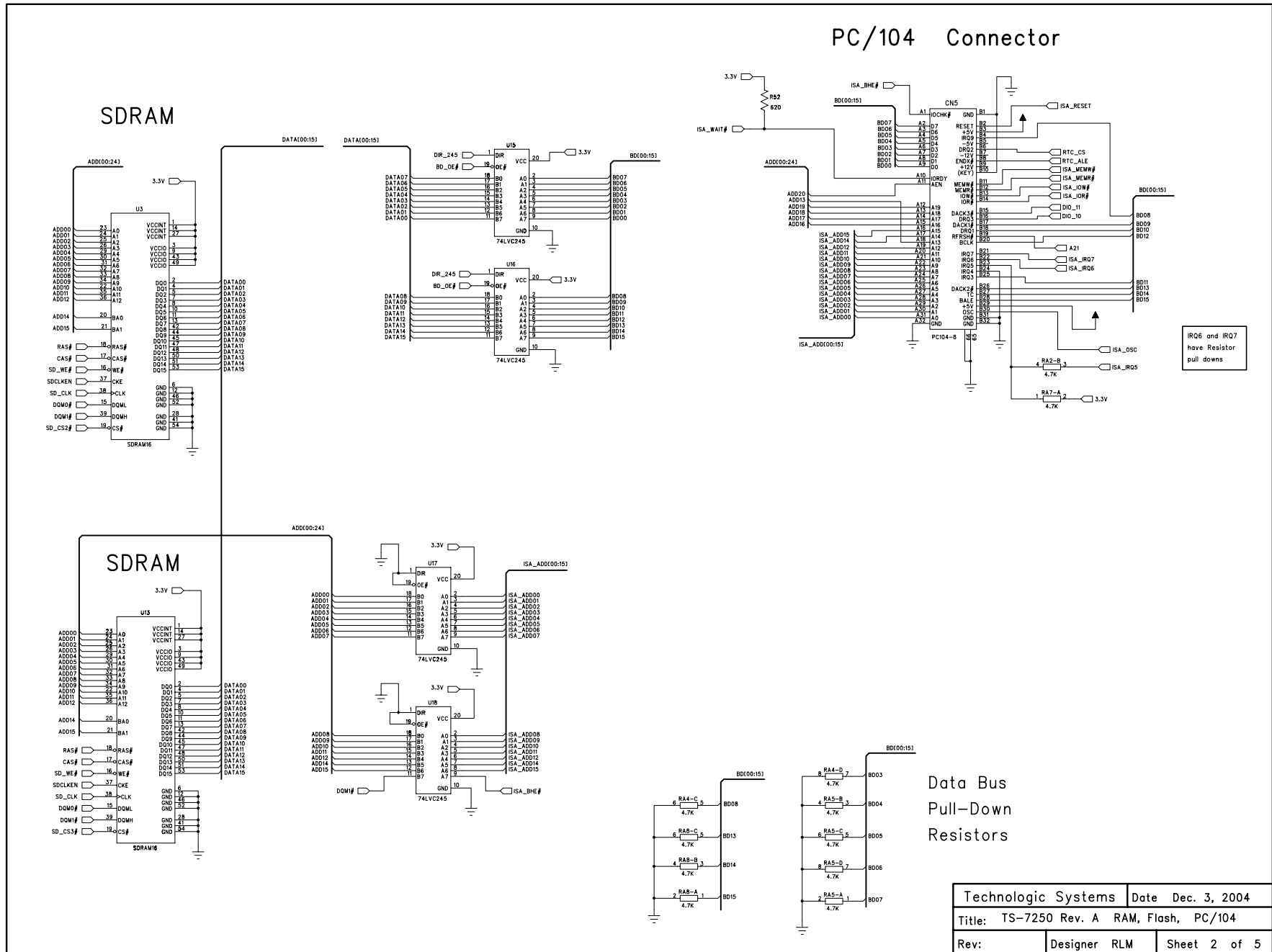
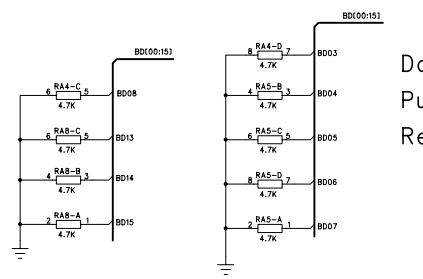


Jumpers:

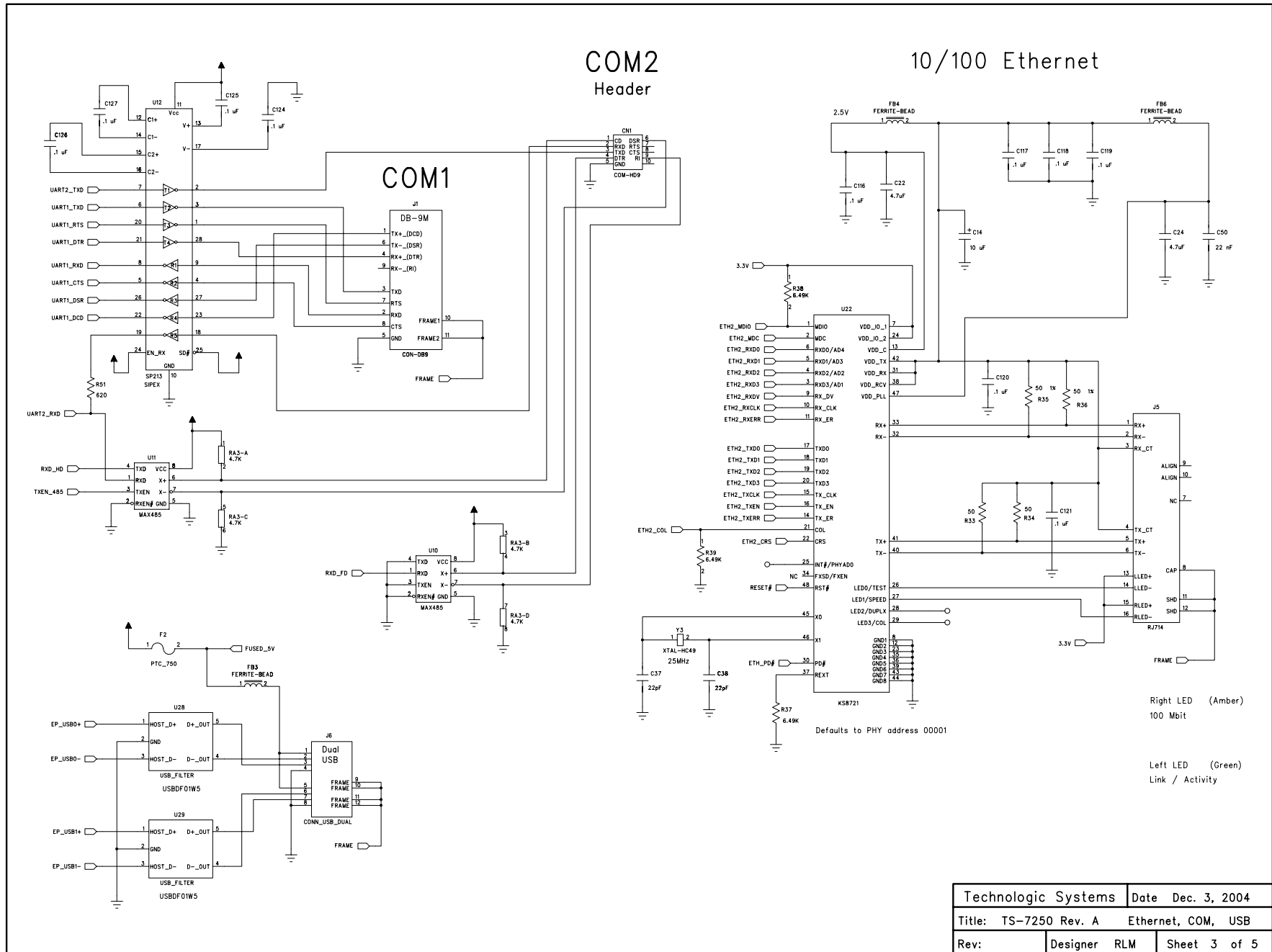
- JP1 = Boot Serial
- JP2 = Console Enable
- JP3 = Write Enable Flash
- JP4 = Console is COM2
- JP5 = TS_Test
- JP6 = Reserved

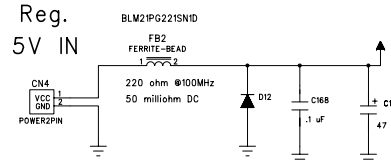


Data Bus
Pull-Down
Resistors



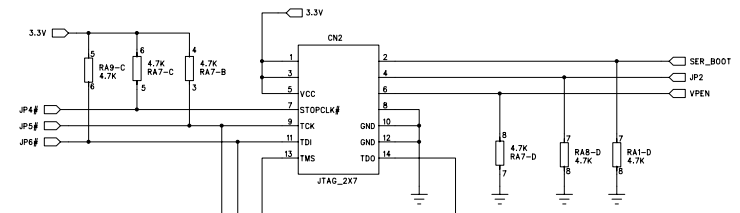
Technologic Systems	Date Dec. 3, 2004
Title: TS-7250 Rev. A RAM, Flash, PC/104	
Rev:	Designer RLM Sheet 2 of 5



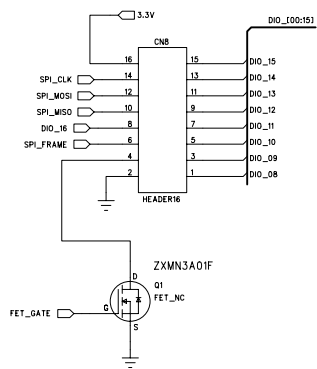


Jumpers:
 JP1 = Boot Serial
 JP2 = Console Enable
 JP3 = Write Enable Flash
 JP4 = Stop @ Redboot
 JP5 = TS_Test
 JP6 = Reserved

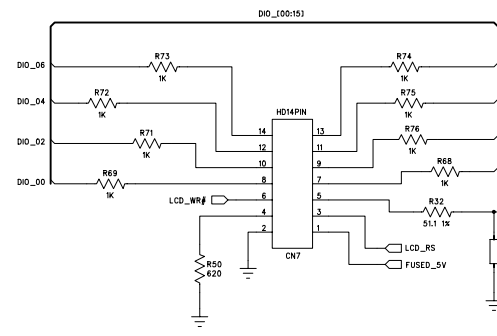
JTAG



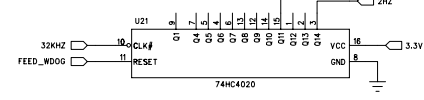
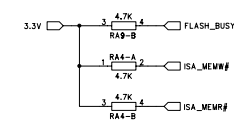
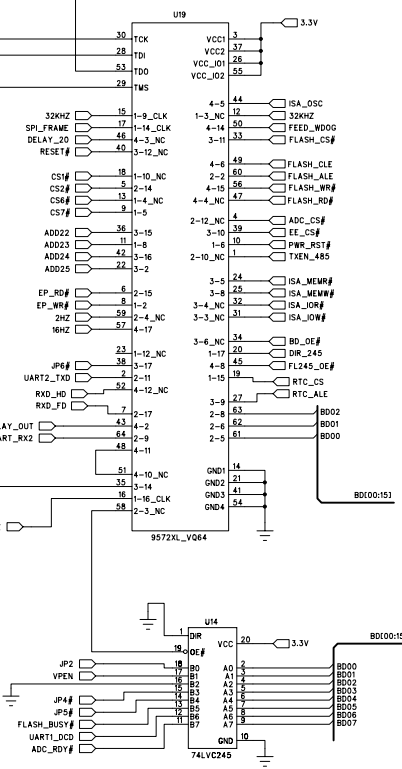
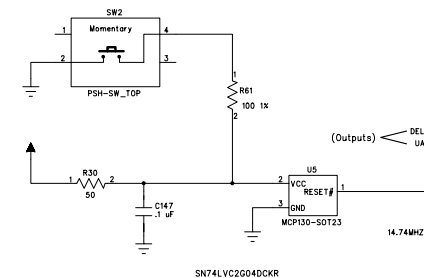
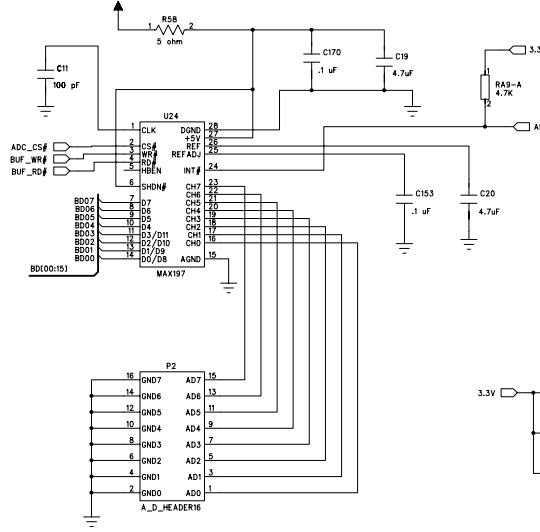
DIO Port



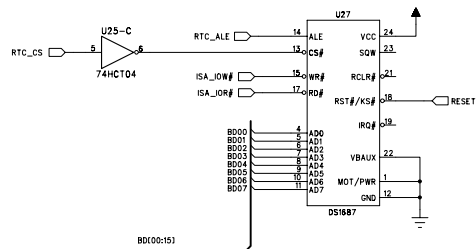
LCD Port



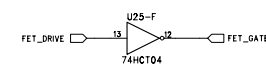
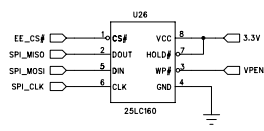
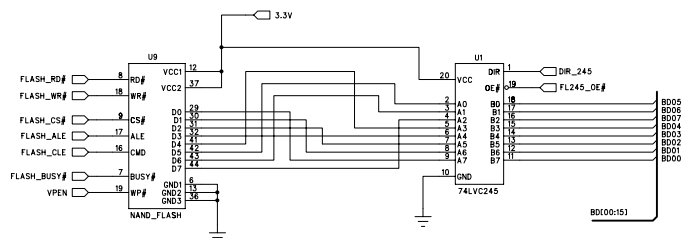
12-bit A/D Converter



Real Time Clock



NAND Flash



5 Channel 12-bit A/D

