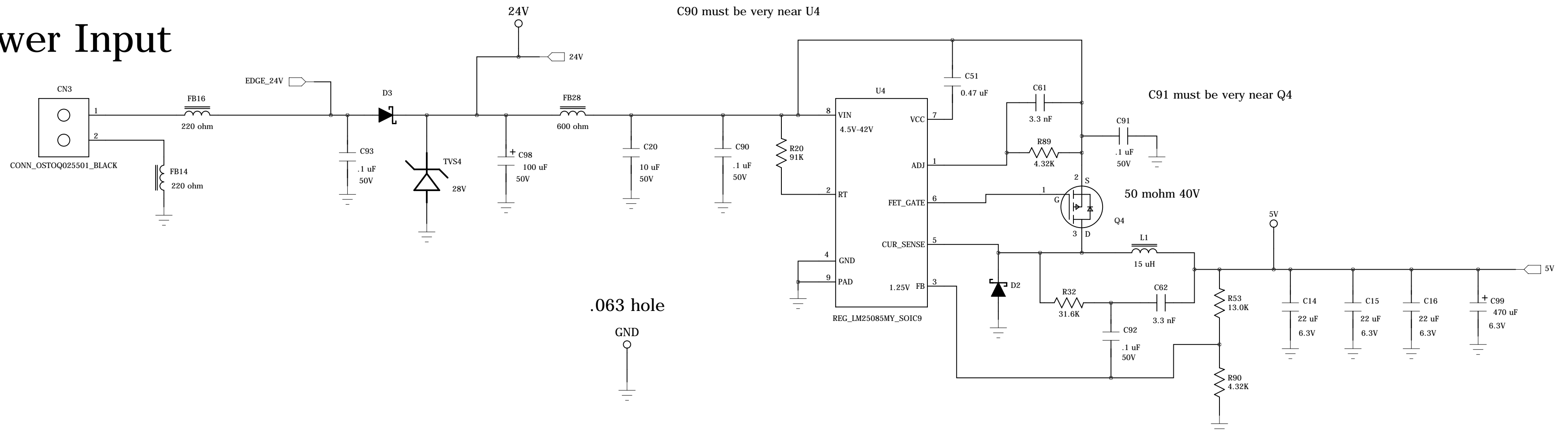
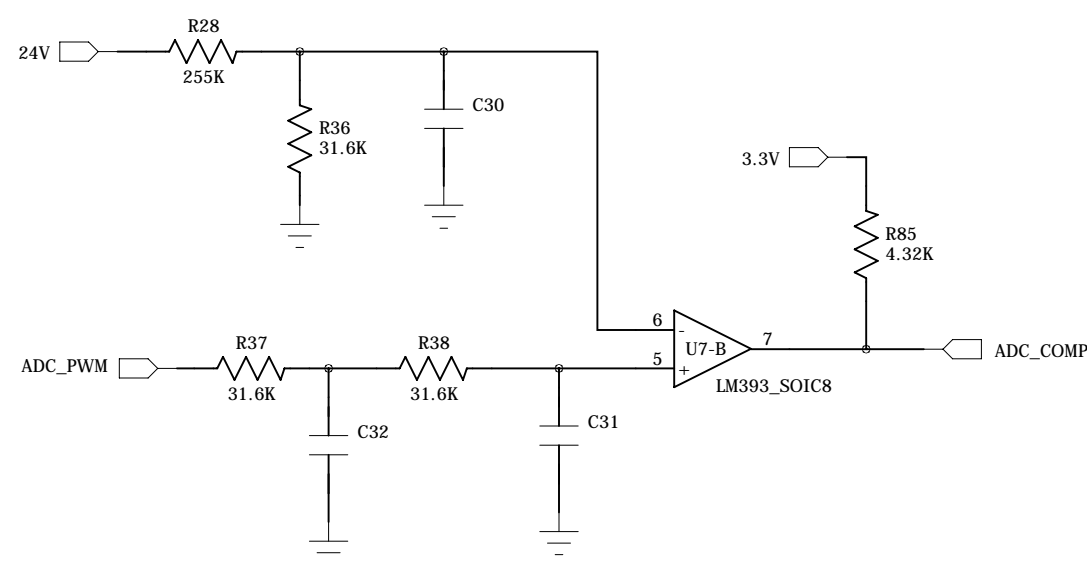


5V Power Supply (2.0 Amps)

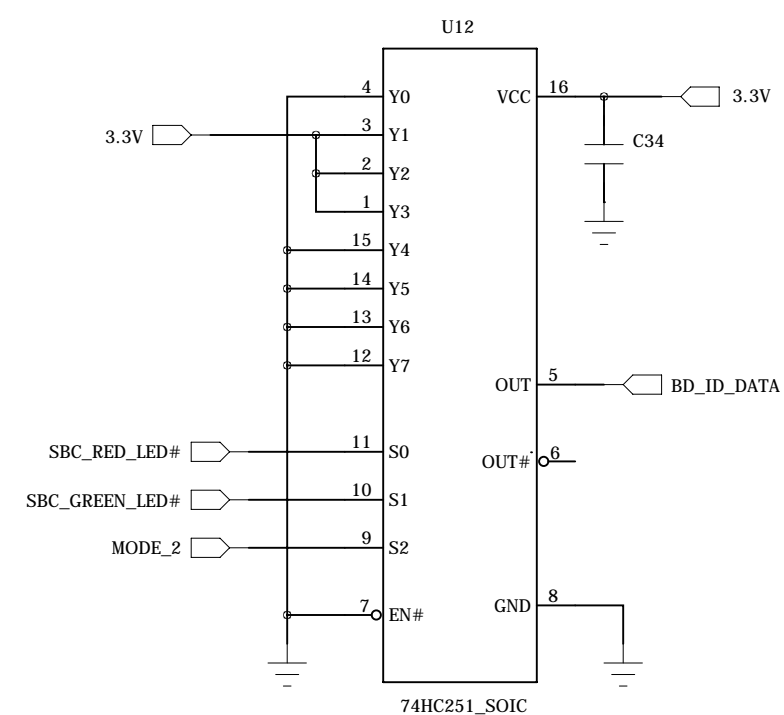
20-28 VDC
Power Input



A/D Converter



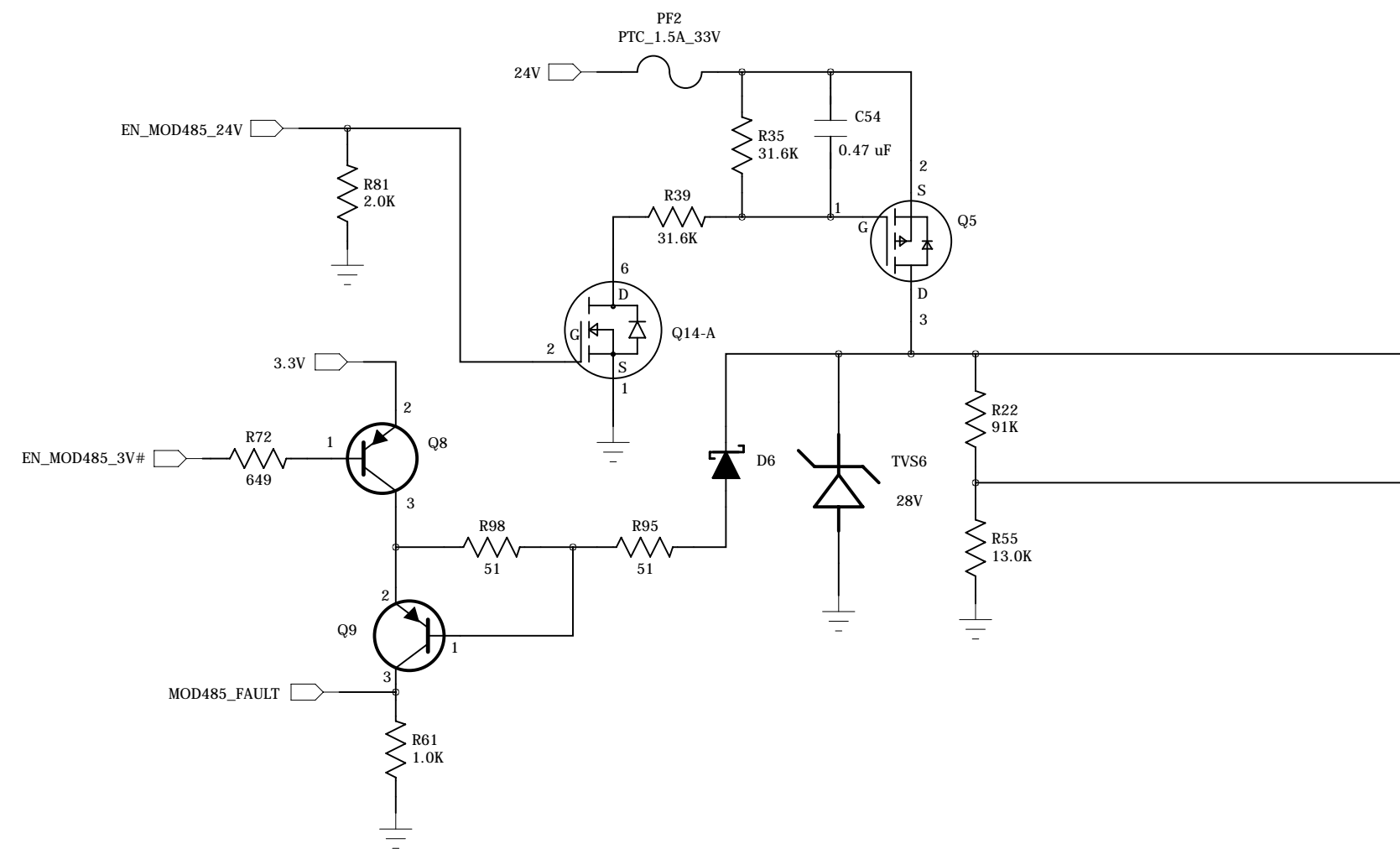
Board ID = 14



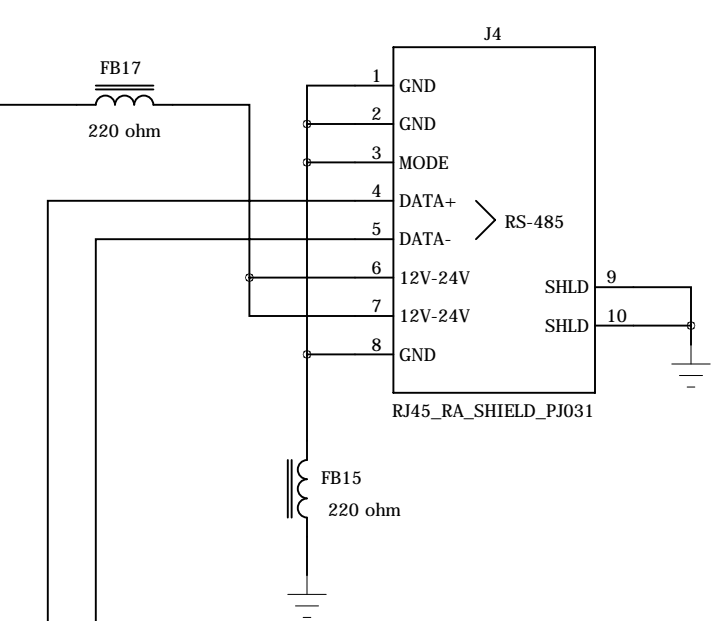
Technologic Systems	Date Nov. 9, 2012
Title: TS-8280 5V Reg. and ADC	
Rev: A	Designer RLM
Sheet 1	of 7

ModBus RS-485

Power Switch

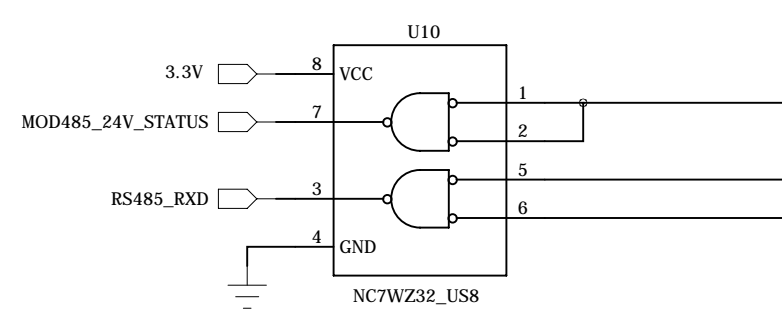


ModBus Shielded RJ45

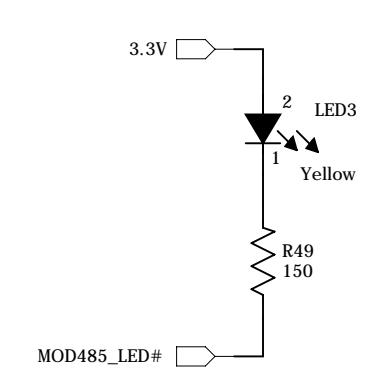
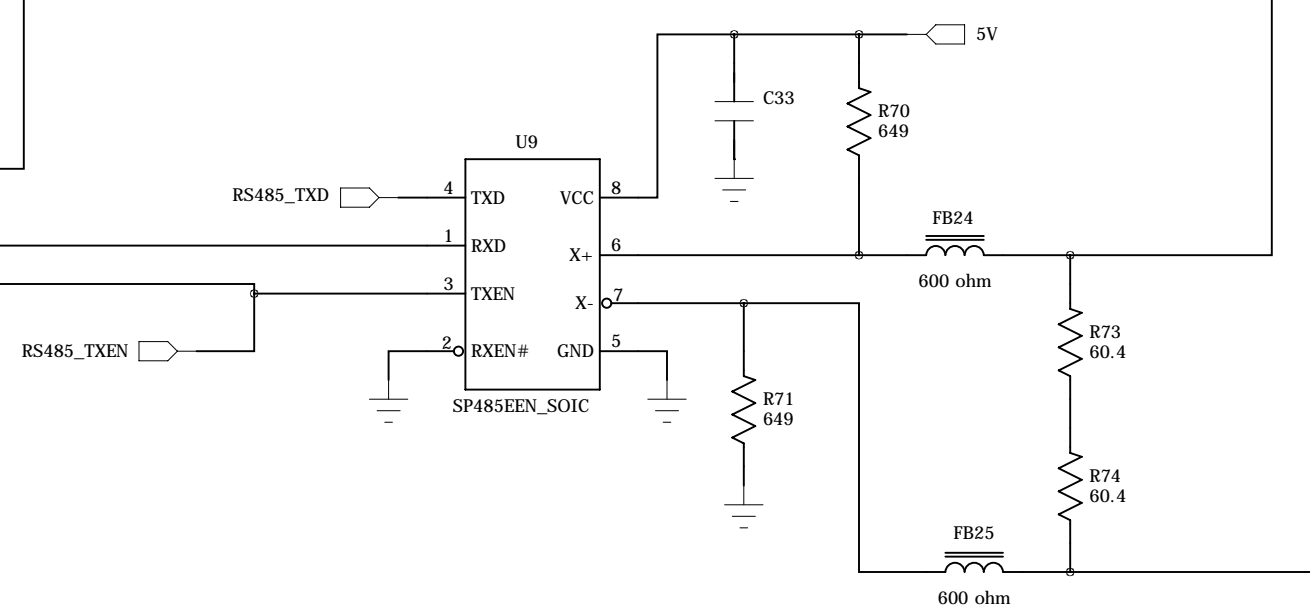


Level shifter

3.3V ← 5V

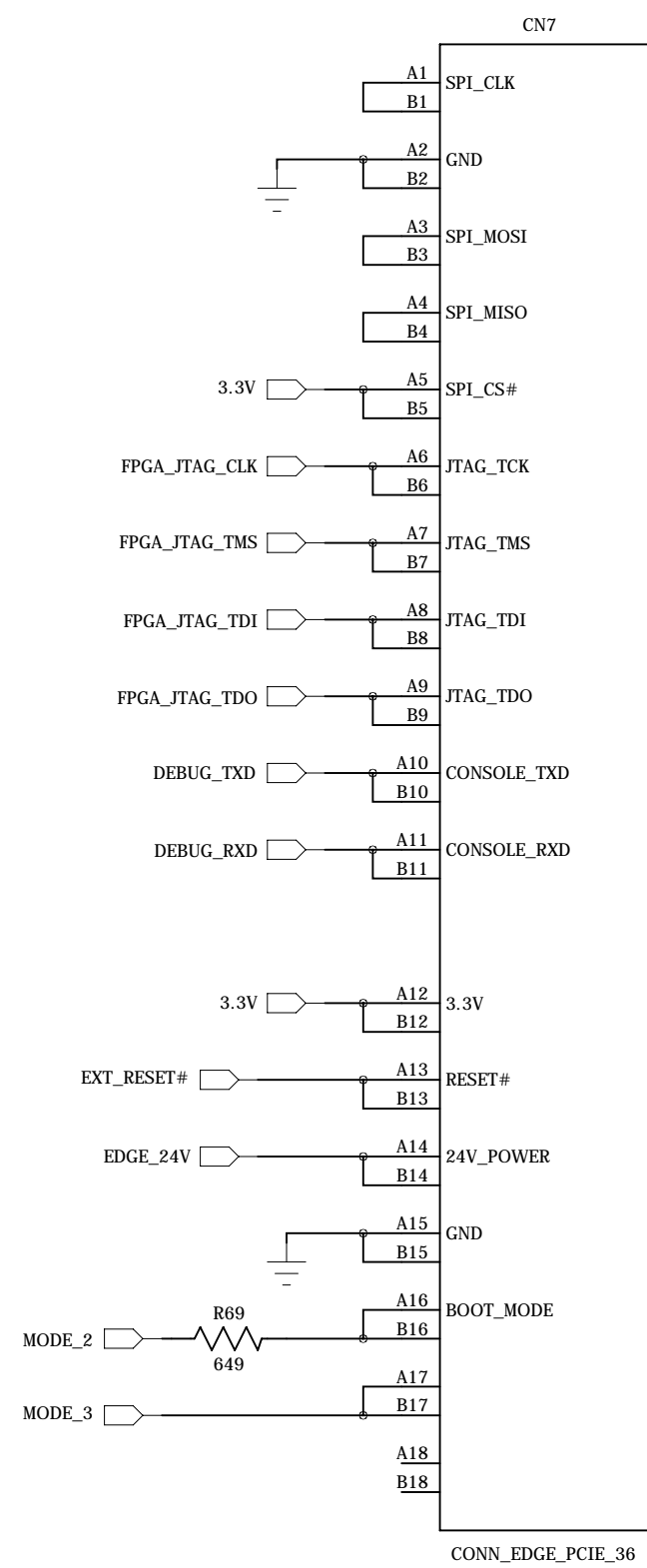


RS-485 Driver

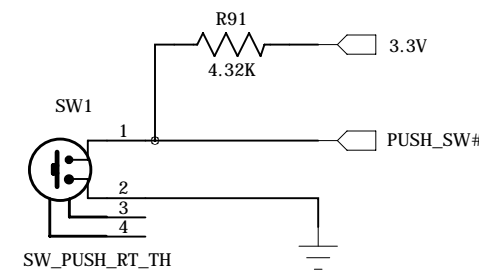


Misc.

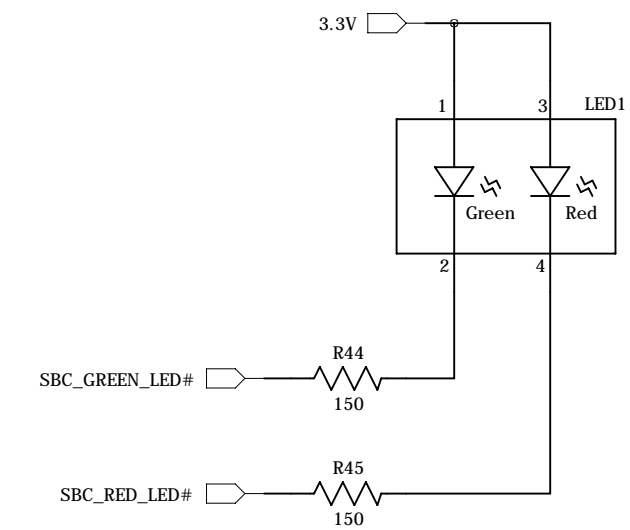
Console Edge Conn.



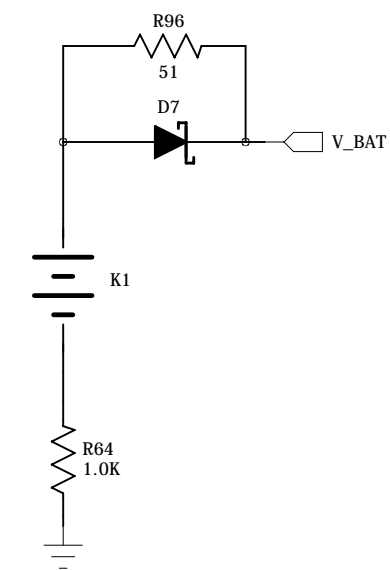
Push Switch



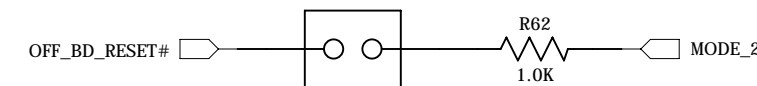
Front Panel LEDs



RTC Battery



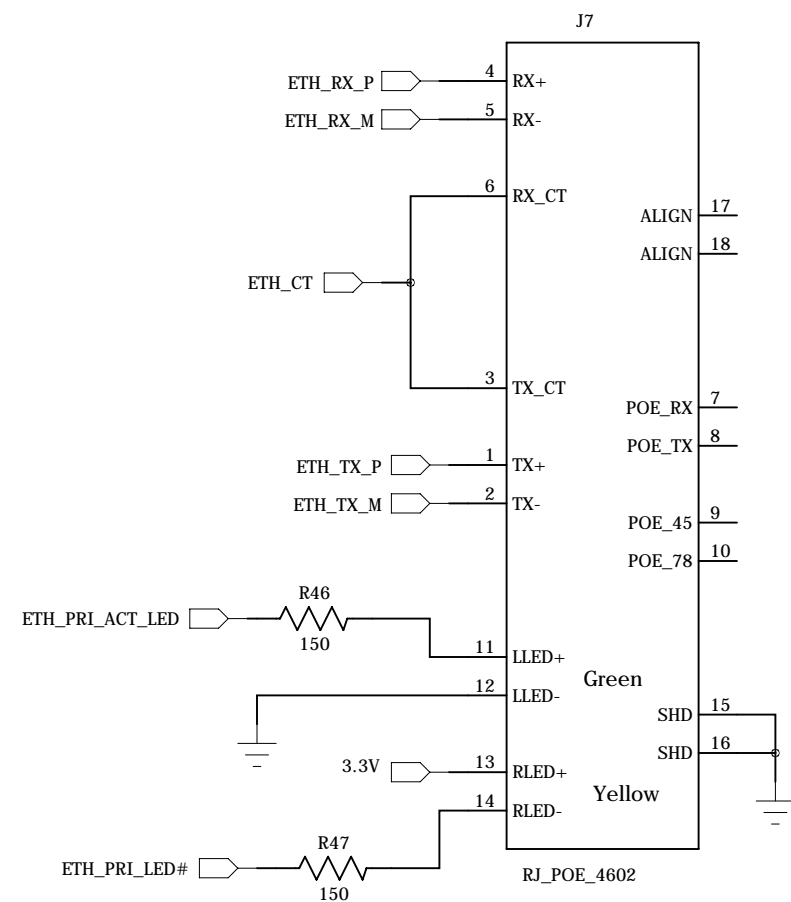
SD Boot



Technologic Systems	Date Nov. 9, 2012
Title: TS-8280 Console, LEDs, Switch, etc.	
Rev: A	Designer RLM Sheet 3 of 7

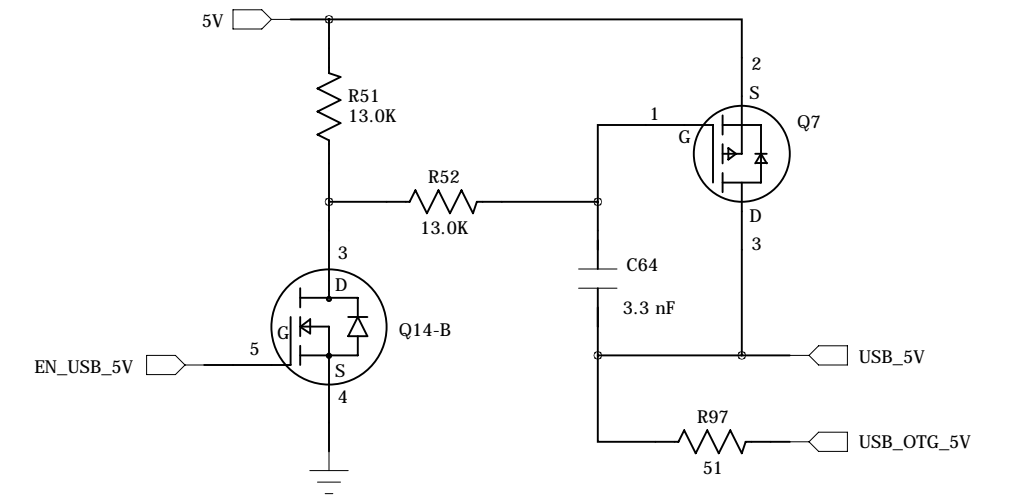
USB and Ethernet Ports

Primary Ethernet

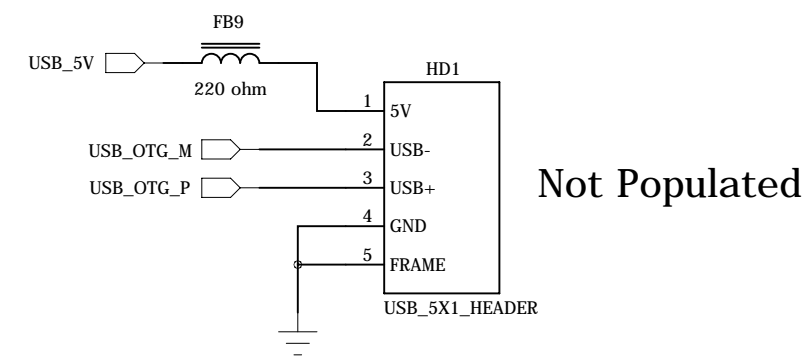


Ethernet Jacks have
Left and Right LEDs
Reversed !

USB Power Switch

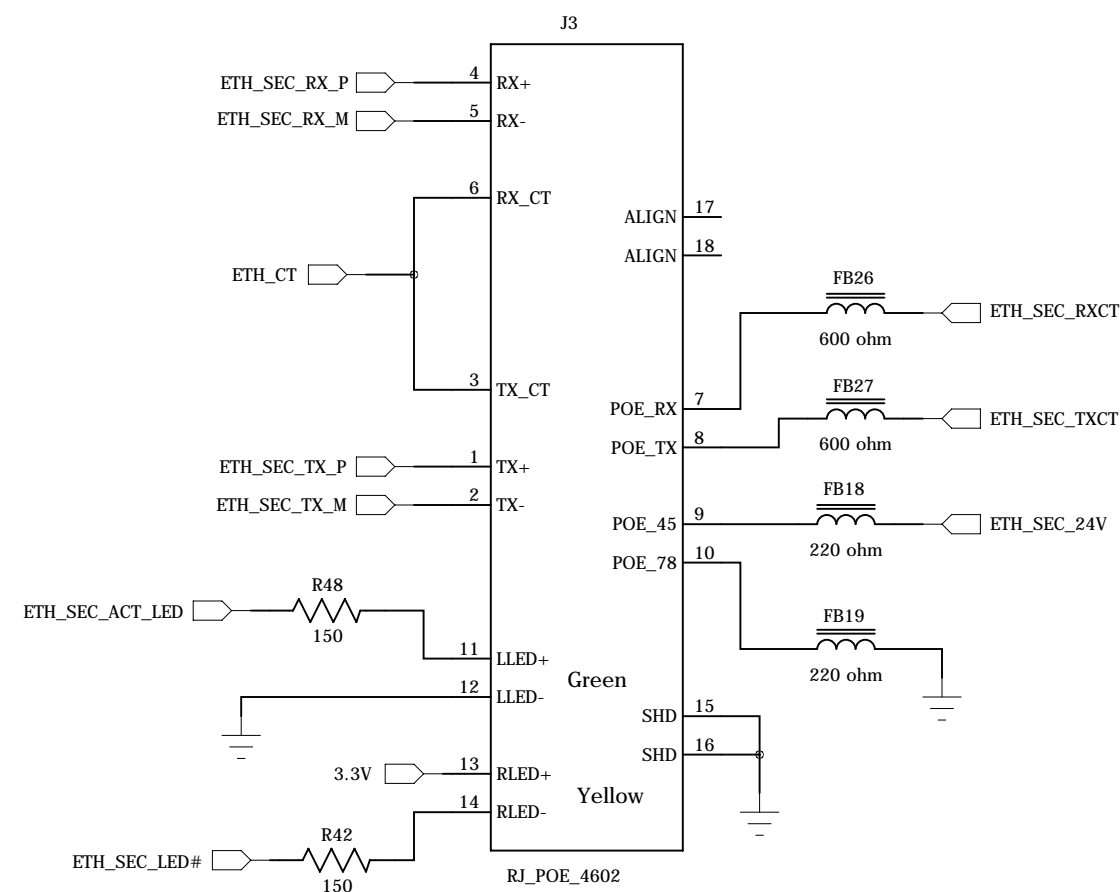


Internal USB

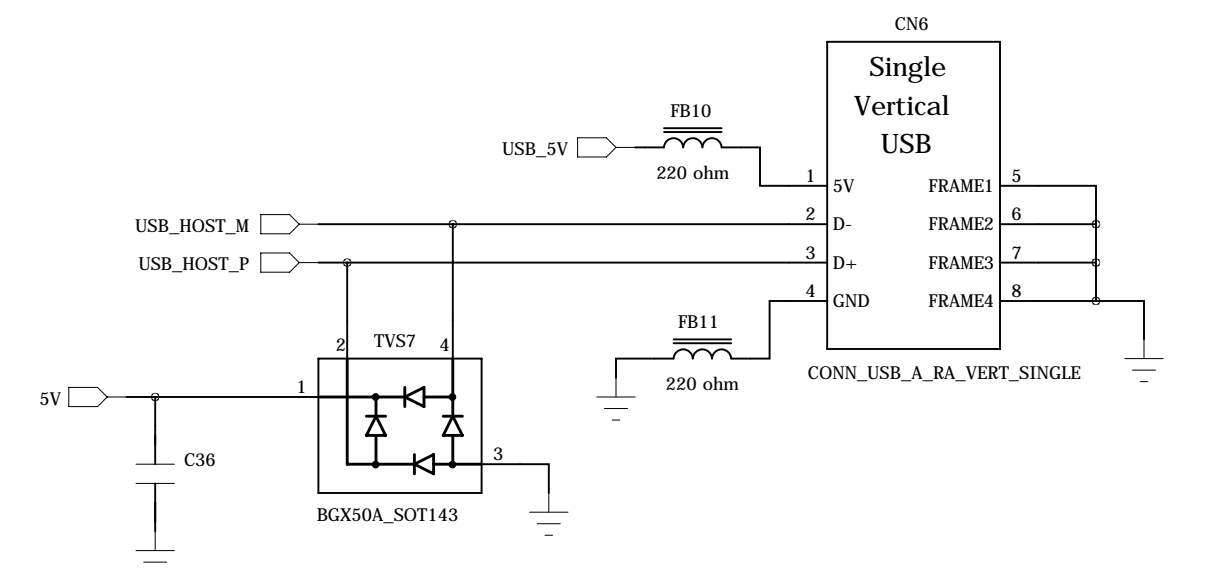


Not Populated

Secondary Ethernet



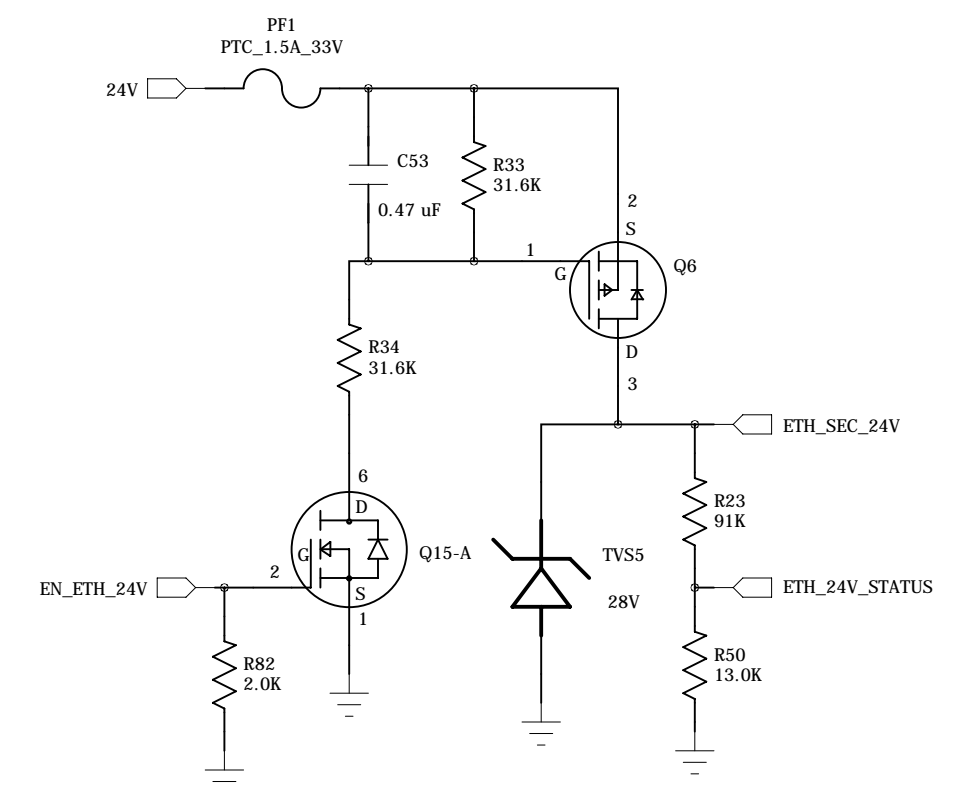
External USB Port



Technologic Systems	Date Nov. 9, 2012
Title: TS-8280 USB and Ethernet Ports	
Rev: A	Designer RLM Sheet 4 of 7

Ethernet Power

Ethernet Power Switch

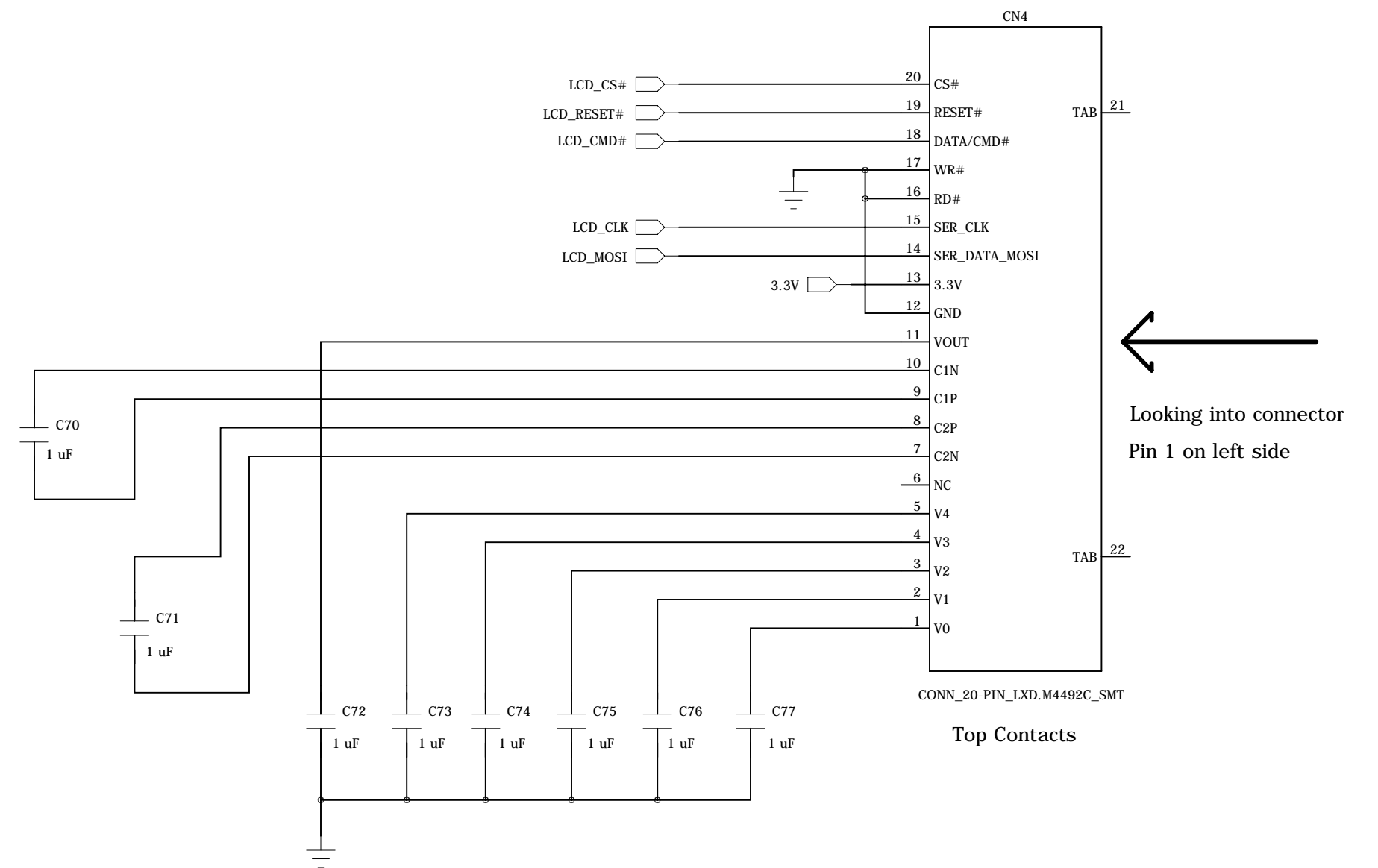
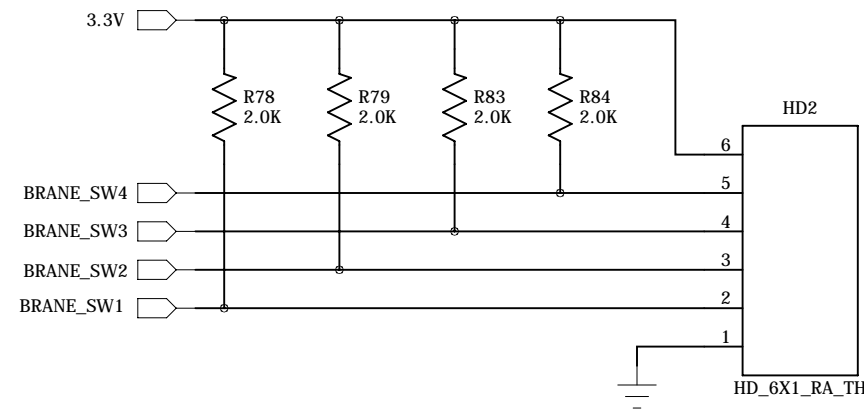


Technologic Systems	Date	Nov. 9, 2012
Title: TS-8280 Ethernet Power		
Rev: A	Designer	RLM
		Sheet 5 of 7

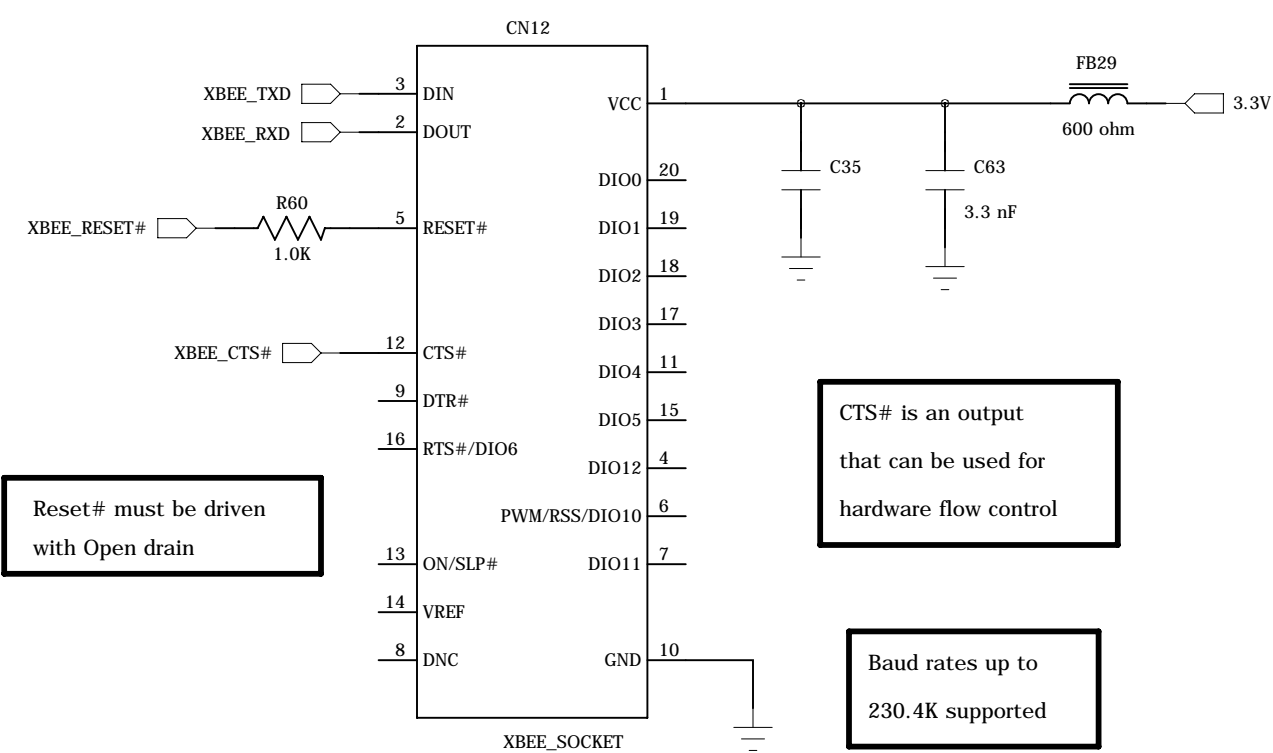
LCD and Switches

Monochrome 128 x 64 LCD Conn.

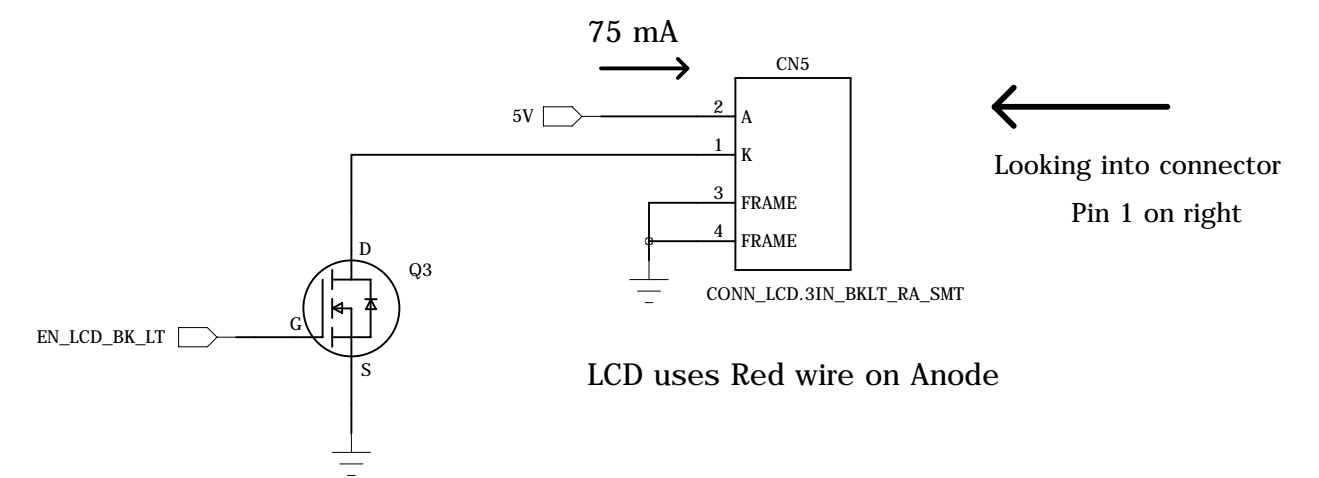
Membrane Switches



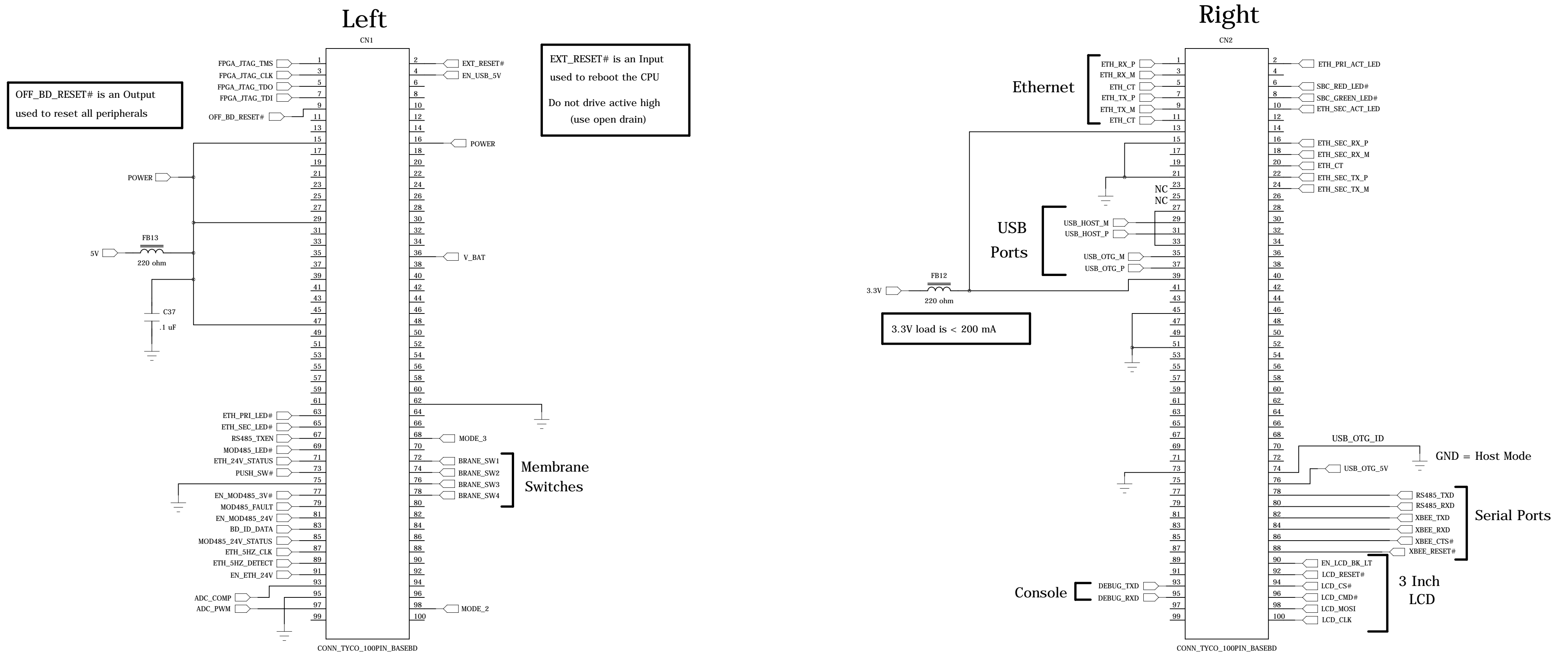
Digi/MaxStream XBee Radio



Back Light Connector



Two 100-pin Module Connectors



Boot Strap

Mode 2	SBC Boots from
1	NAND Flash
0	SD Card

MODE2 state is latched prior to OFF_BD_RESET# deasserted

MODE2 has a PU on the SBC module