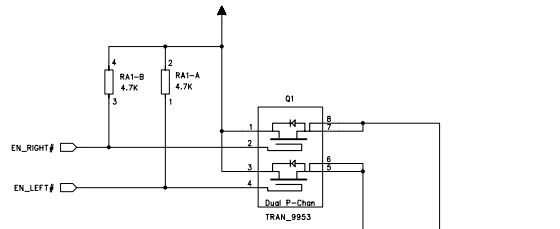
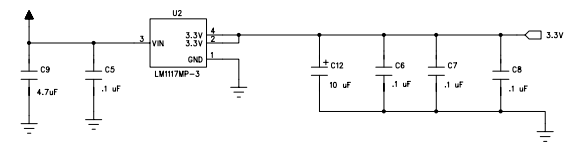
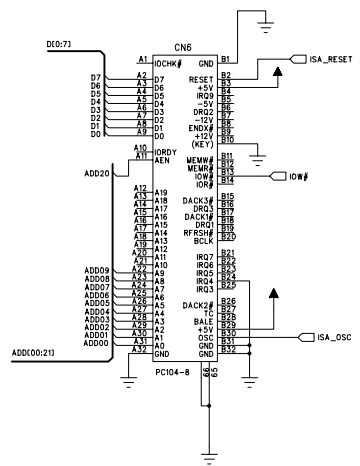
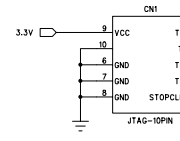


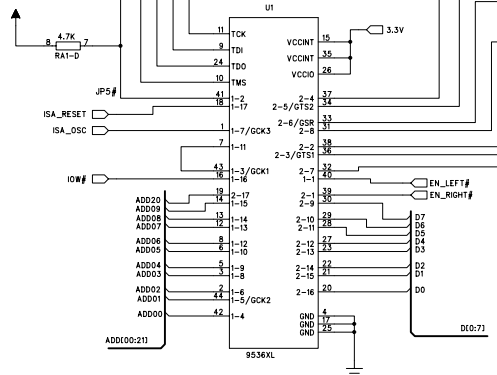
PC/104 Connector



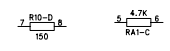
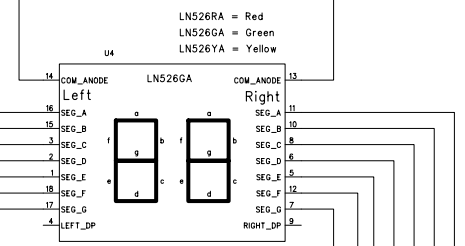
JTAG



PLD1
XC9572XL



4608X-2-151-ND



Technologic Systems	Date Oct. 26, 2004
Title: TS-9422 PC/104, PLD, Display	
Rev: 1.0	Designer RLM Sheet 1 of 1